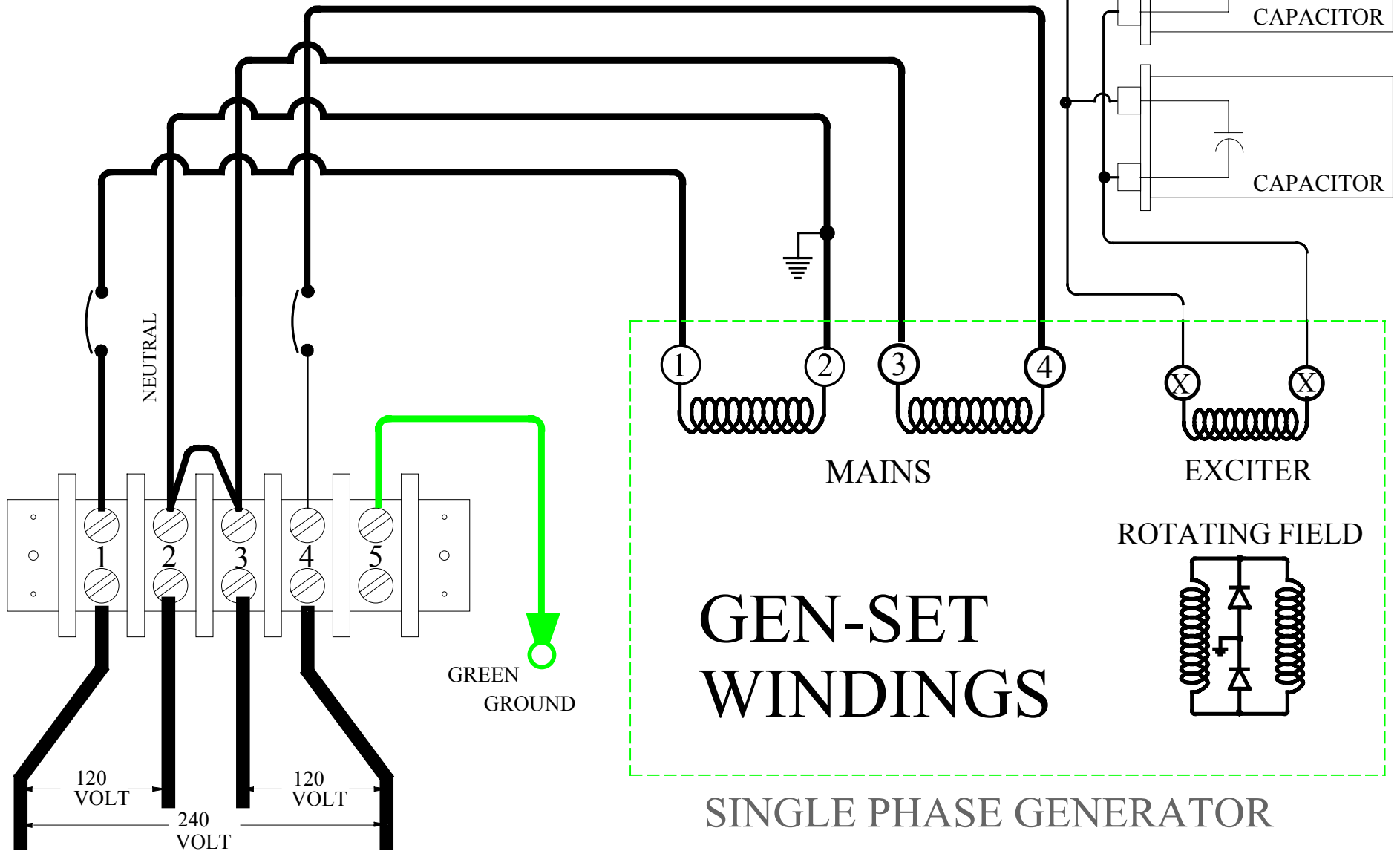


Typical 120/240 V.A.C. Connections



**GEN-SET
WINDINGS**

SINGLE PHASE GENERATOR

120/240 V.A.C.

Note: Stator leads are black with printed white numbers every 2" along the wire lengths.