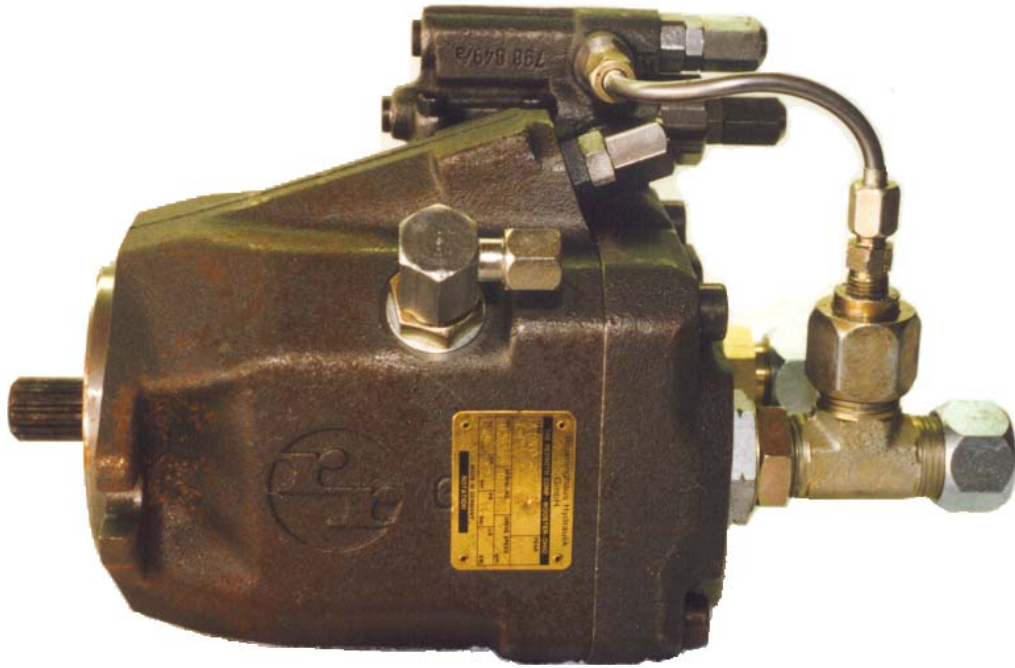
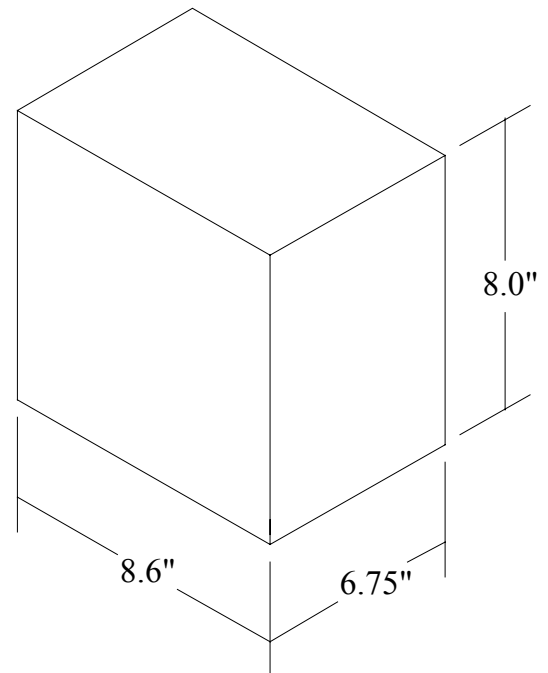


45 cc Pump Dimensions and Data



45 cc Pump SAE-B				
KW	RPM (minimum)	GPM	Torque (low idle)	Torque (redline)
6	600	5.7 - 6.8	102 ft-lbs	19 ft-lbs
8	750	8.0 - 9.5	114 ft-lbs	27 ft-lbs
10	950	10.3 - 12.2	116 ft-lbs	34 ft-lbs



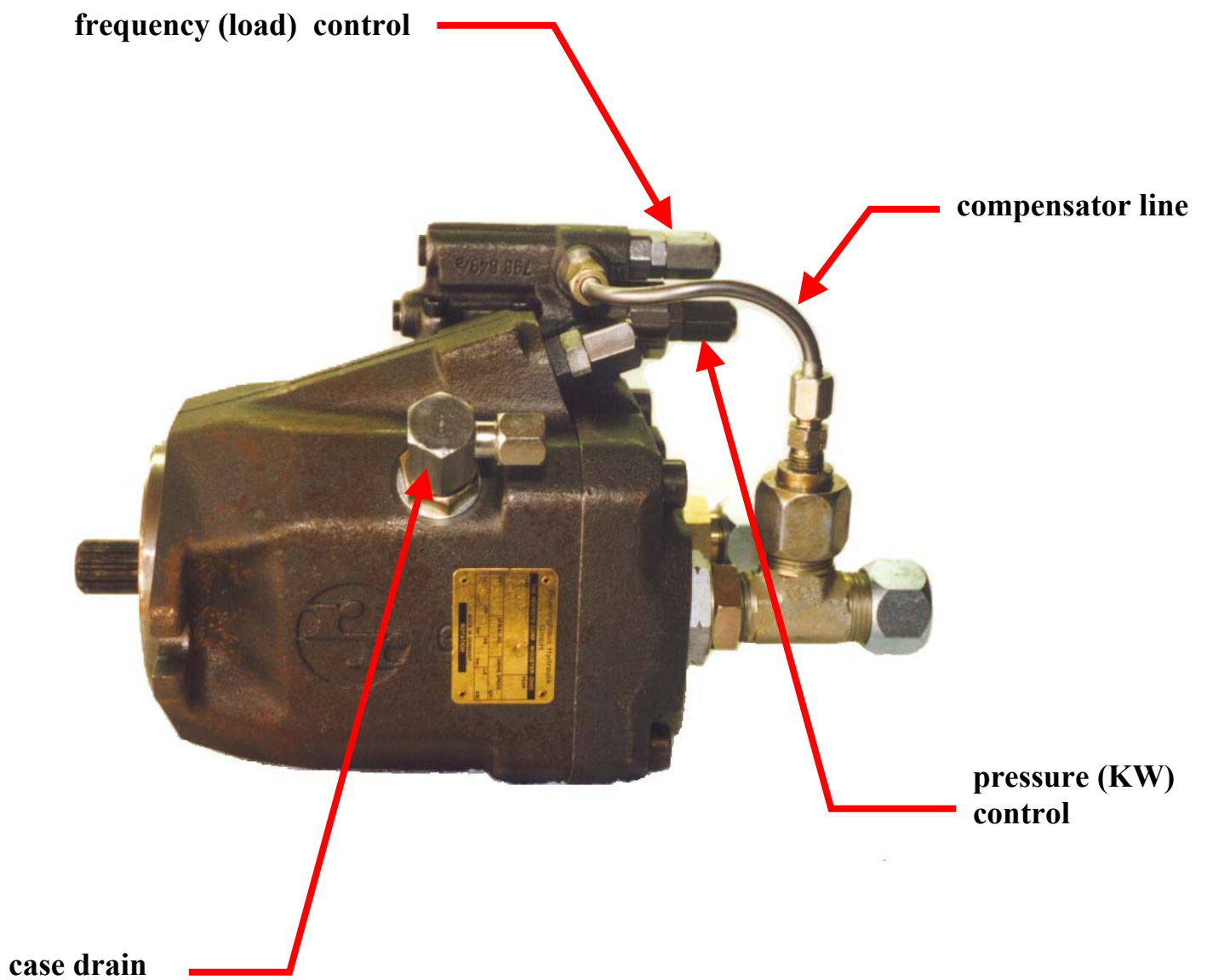


Figure PT45-LT