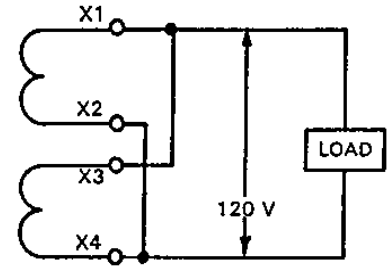
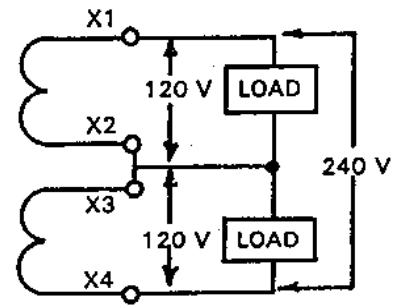




$$P = V I pf \quad (\text{for } 1\emptyset)$$



Parallel Coil 120 VAC 1Ø



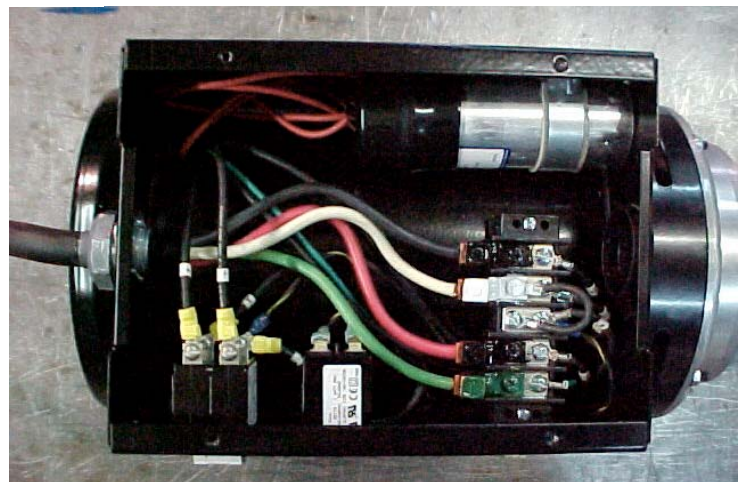
Series Coil 120/240 VAC 1Ø

	Single Phase 120/240 VAC PF= 1.0	Wire Size
4 KW	34/17amps	#10
5 KW	42/21 amps	#10
6 KW	50/25 amps	#10
7 KW	58/29 amps	#8
8 KW	68/34 amps	#8
9 KW	75/37 amps	#6
10 KW	84/42 amps	#6
11 KW	92/46 amps	#6*
12 KW	100/50 amps	#6*

*Type W



120 VAC connections
1&3 joined 2&4 joined



120/240 VAC connections
2&3 joined together